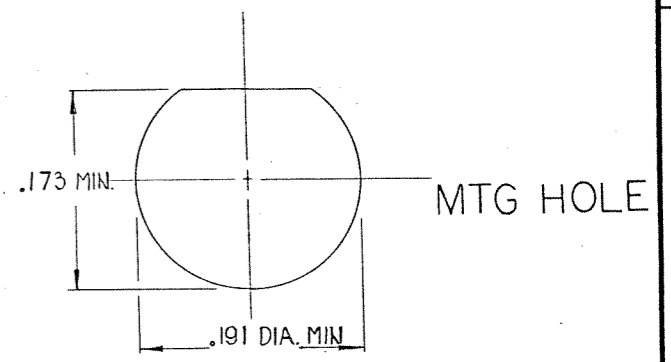
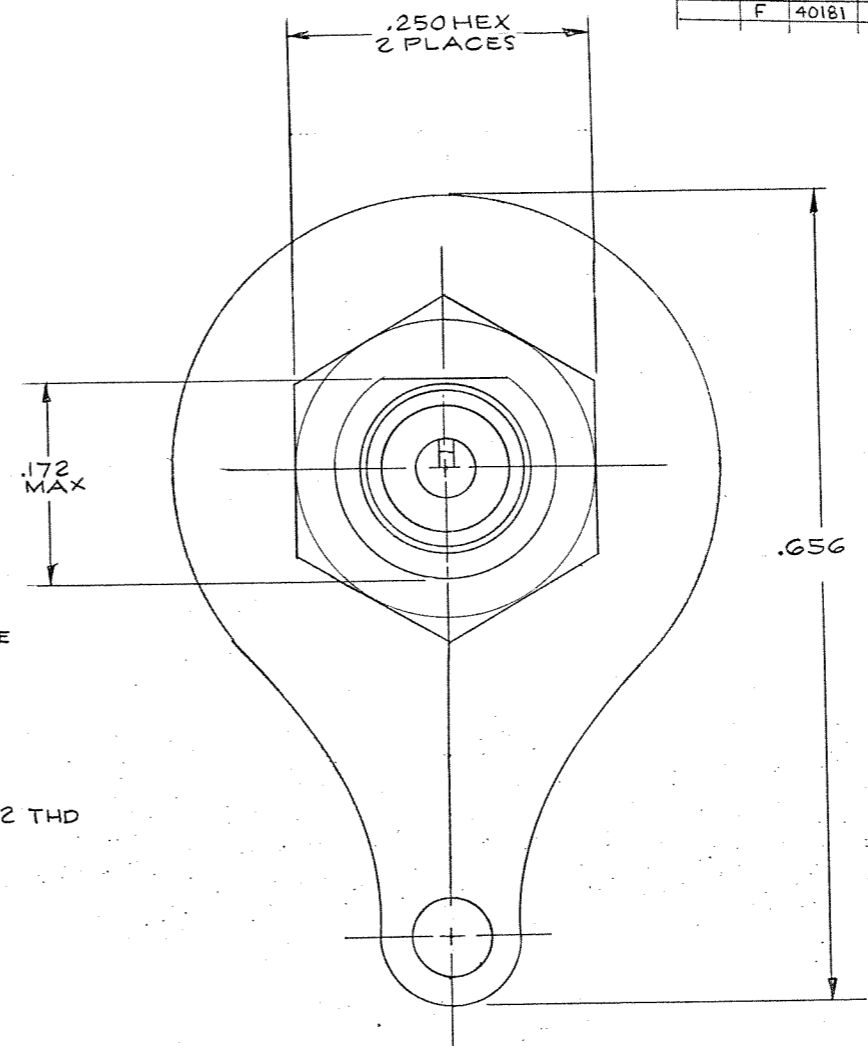
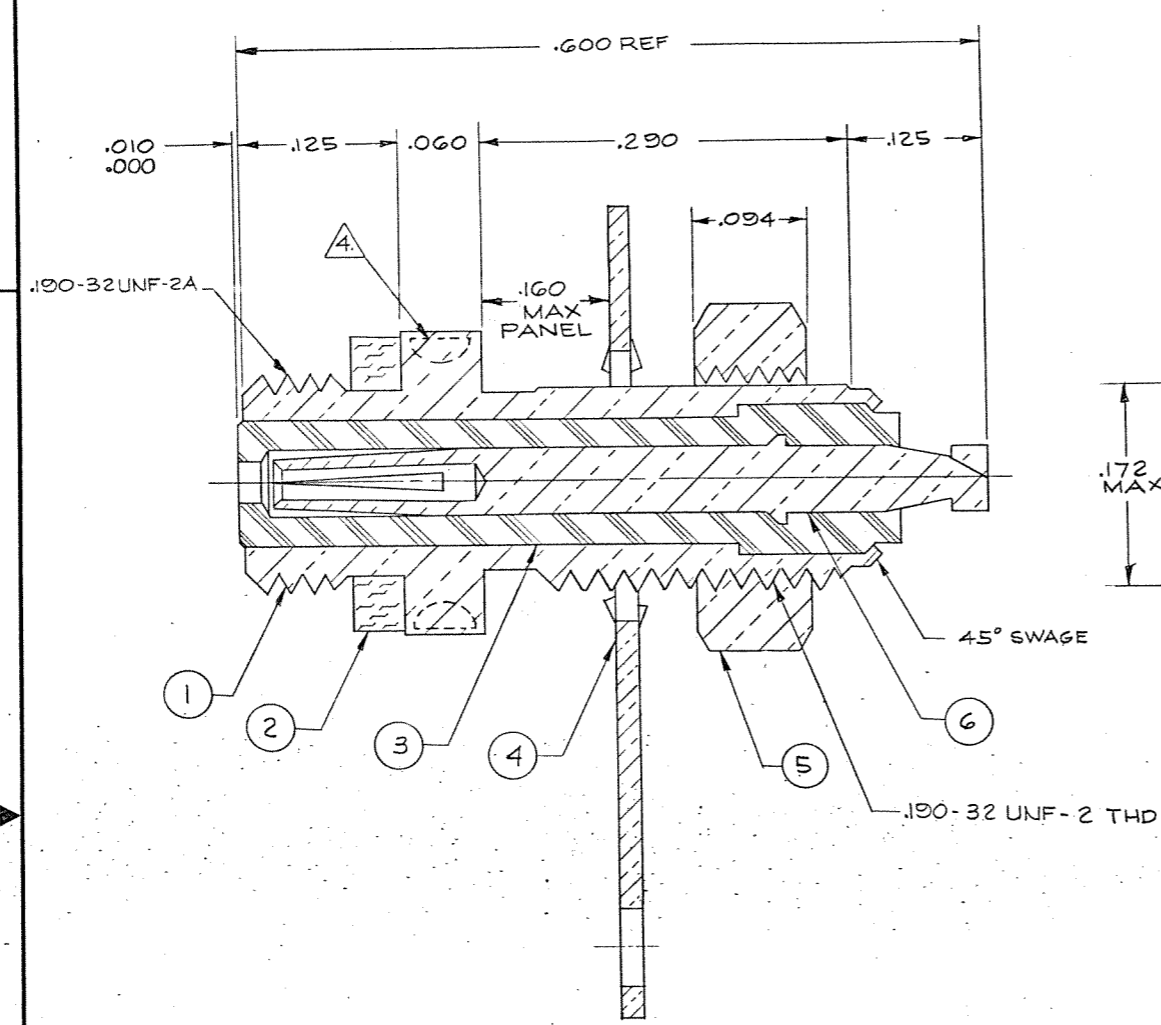


REVISIONS					
ZONE	LTR	ECO	DESCRIPTION	DATE	APPROVED
C	22863		REDRAWN, UP-DATED & CORRECTED <sup>12-677</sup> <sub>9.3</sub>	12/22/77	(U)
D	28902		ITEM #4 MAT'L. WAS: PHOSPHOR BRONZE QQ-B-750	8/13/89	h/f
E	36837		ITEM 2, WAS 003-0011-0001	3-31-97	ds
F	40181		UPDATE REV. LETTER.	5/1/03	ds



Tyco Dwg 1466301  
Micro P/N 05103180001

- NOTES: UNLESS OTHERWISE SPECIFIED
- THIS CONNECTOR MATES WITH ALL 50 SERIES SCREW TYPE PLUGS AS LISTED IN MICRODOT CATALOG.
  - SILVER PLATE .0002 MIN PER QQ-S-365 TYPE II, GRADE A.
  - GOLD PLATE PER MIL-G-45204 TYPE II, GRADEC, CLASS I.
  - .016 DIA. SAFETY WIRE HOLES (3 PLACES)

QTY REQD	CODE IDENT	PART OR IDENTIFYING NO.	NOMENCLATURE OR DESCRIPTION	MATERIAL & SPECIFICATION	ITEM NO.
1		003-1315-0002	SOCKET CONTACT	BERYLLIUM COPPER, QQ-C-530	6
1		003-0009-0001	HEX NUT	BRASS PER QQ-B-626	5
1		003-0306-0001	SHAKEPROOF LUG	425 BRONZE ALLOY	4
1		003-1316-0001	INSULATOR	TEFLON PER L-P-403	3
1		003-0268-0000	GASKET	SILICONE RUBBER, ZZ-R-765	2
1		000-1601-0295	HOUSING	BRASS PER QQ-B-626	1

PARTS LIST		CONTRACT NO.		MALCO A MICRODOT COMPANY, INC. 220 PASADENA AVE., SO. PASADENA, CALIF. 91030		
UNLESS OTHERWISE SPECIFIED DIMENSIONS ARE IN INCHES TOLERANCES ARE: FRACTIONS DECIMALS ANGLES ± .XX ± .XXX ± .010 ± 2°		APPROVALS	DATE	BULKHEAD RECEPTACLE 50 OHM		
MATERIAL		DRAWN <i>h/zutimz</i>	9.30.77			PROD. CODE 934
FINISH		CHECKED (U)	12/21/77			CODE CDM
NOTED		PR. ENG. (U)	12/21/77			
NOTED		APPD.		SIZE CODE IDENT NO. DRAWING NO. C 98278 051-0318-0001		
NEXT ASSY USED ON		These drawings and specifications are the property of Microdot Inc., are issued in strict confidence and shall not be divulged, be reproduced or copied, or used as the basis for the manufacture or sale of any article without written permission of Microdot Inc.		SCALE 10 / 1 SHEET / OF /		
APPLICATION		DO NOT SCALE DRAWING				